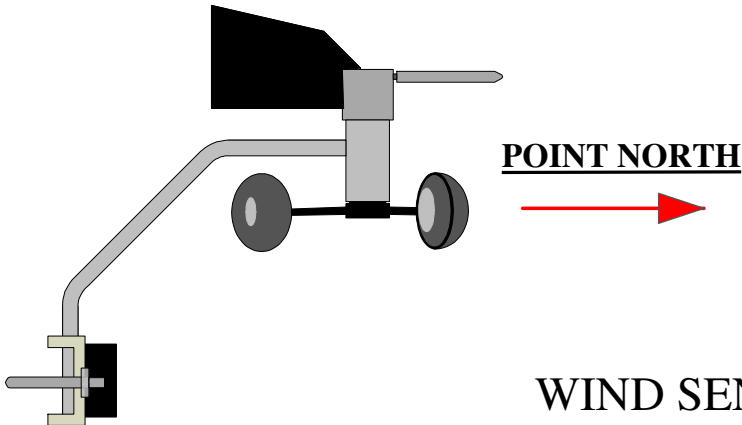


WIND SENSOR with 0-10V output



WIND SENSOR

The combined Wind Speed and Direction Sensors are manufactured from anodized aluminium alloy, uPVC and stainless steel with moulded polypropylene cups. The units are lightweight (less than 250 grammes) yet very robust.

The sensors are designed to be mounted to a mast of between 30 - 50 mm diameter by means of a V-shaped clamp and bracket. This allows simple orientation of the sensor arm to North using the compass provided ; the only setting up required.

Wind Direction is sensed by a precision conductive potentiometer which combines exceptionally long life with high sensitivity.

Wind Speed is derived from a Hall Effect solid state magnetic switch activated by magnets in the cup rotor.

Sintered bronze bearings are employed in the basic model while a stainless steel ball race is used in the Pro version for extended life in arduous conditions.

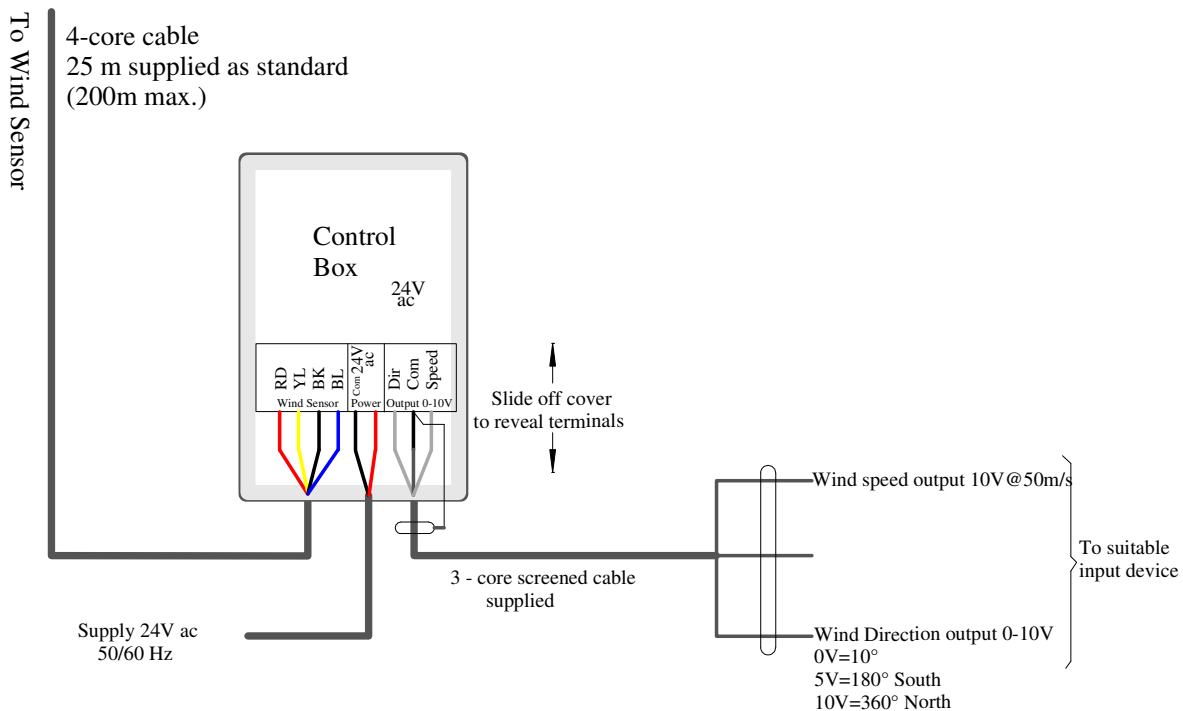
Specification

WIND SPEED

Typical accuracy 5% or 1.5 m/s
Resolution better than 0.5 m/s
Threshold <0.5 m/s

WIND DIRECTION

Accuracy +/- 5 degs. typical (+/- 10 degs. worst case)
Resolution Generally < 1 deg. (+/- 10 degs. at North)
Threshold <0.5 m/s



Instromet Weather Systems Ltd

10a, Lyngate Industrial Estate North Walsham Norfolk NR28 0AJ Tel +44 (01692) 502800 Fax. +44 (01692) 502801 e-mail:sales@instromet.co.uk
websites: www.instromet.co.uk www.weathermonitoring.co.uk www.weathermonitoring.com

583 0000 112 Rev. 4 08.09.08