

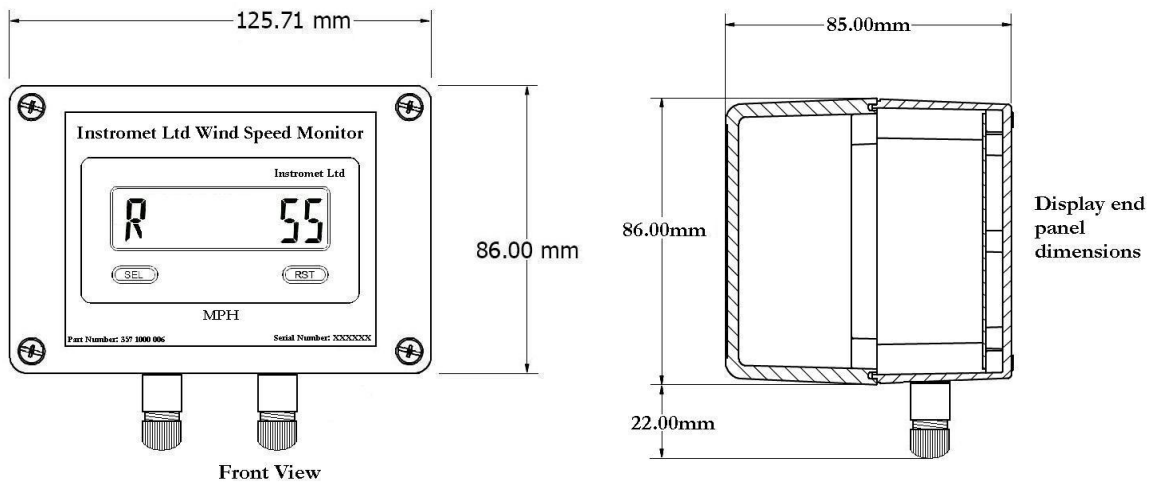
Instromet Ltd

Stand alone wind speed sensor and display

Part number: 357 1000 006

Specification

Display



Display unit size : 125.7mm wide x 86mm deep x 85mm high.

Display Parameters: Digital readout of wind speed in **mph** with red illuminated figures 11.7mm high.

Display buttons are disabled for this application.

Wind Sensor

Roof-mounted wind speed sensor with mounting clamp for easy installation on masts with a diameter of 25 – 50mm.

Accuracy: $\pm 5\%$ or 3 Knots

Materials: Sensor assemblies utilise anodised aluminium alloy, stainless steel, nylon, injection moulded polypropylene anemometer cups.

Cable length: 25m as standard (additional cables available on request up to 100m)

Power supply

12V DC input.

Optional Extras

Mounting Kits: Aluminium masts of 1½" diameter

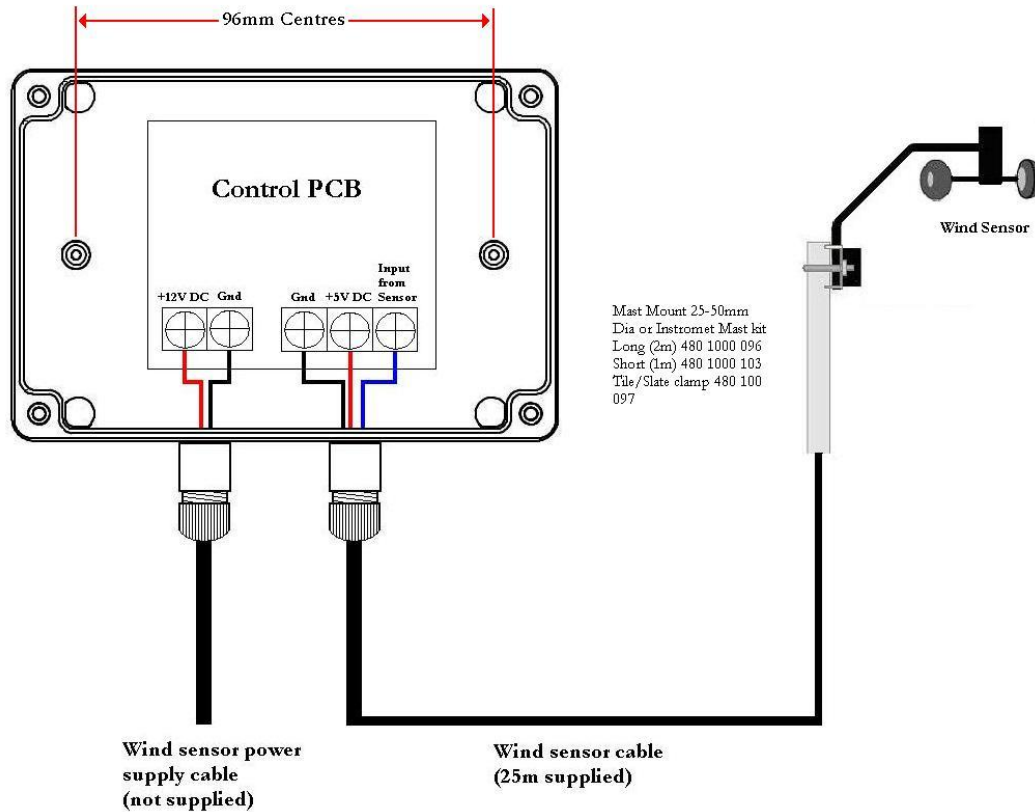
Long 2m: 480 1000 096

Short 1m: 480 1000 103

Or Roof/slate mounted mast kit for non-chimney dwellings Part No.

480 1000 097

Installation instructions



Roof Top Wind Sensor

The three core cable should be connected to the terminal block on the sensor bracket. This can be accessed by removing the black cover, where a wiring identification label will be found. This unit should be mounted on a mast of 25-50mm diameter (suitable mast mounting solutions are available from Instromet sales), as high and as far away as possible from chimneys, roof peaks, buildings, trees and transmitter aerials which may cause wind turbulence or interference. Where possible the roof top wind sensor should be mounted at least 2 metres above roof peaks.

The cable from the roof top wind sensor should be run down to the display, making sure it is properly secured. Please note! This cable should not be run in close proximity to power or transmitter cables. If it is necessary to shorten the cable please do this when connecting the cable to the display unit.

WARNING: Under no circumstances should the wind sensor junction box cover or the terminal block inside be sealed in any way as it is designed to breathe.

Display box

The display should be wall mounted by the two mounting holes in the back of the unit (96mm centres, hole diameter 4.5mm). To be mounted in a weather resistant environment.

Cable entry into the display is via the two PG7 cable glands which will accept a cable diameter of 3mm - 6.5mm

Troubleshooting guide

You've installed your Wind speed monitor and find that despite careful attention to detail, it does not work as expected. The following notes may assist in getting your wind speed monitor working.

The display does not appear to work

Check that the power supply is turned on (12V DC).

Check power cable correctly wired to the correct terminals in the Display.

Check that the internal fuse is not blown (500mA).

Wind Speed not being displayed

Check anemometer cups are turning freely

Check that the wiring is correctly installed (particularly the *blue* wire from the Wind Sensor).

Check that the cable is not damaged.

If you have a voltmeter the following can be measured on the wind sensor cables:

Red = 5V *DC*

Black = Common

Blue = 2.5V *AC* (cups must be rotating)

Try to measure these at both ends of the cable to eliminate the possibility of any cable damage.

If all fails call the service department on **01692 502800** or return the affected part to us for checking or replacement.

Instromet Ltd.
Lyngate Industrial Estate
North Walsham
Norfolk
NR28 0AW

Disclaimer

As part of our ongoing policy to improve the design and specification of our products, we reserve the right to change any detail given without prior notice. The Novomec Group shall not be responsible for any liability or loss of any nature which may result from the use of any information provided in technical literature. Instromet® products are designed to monitor current and previous weather conditions for domestic use and should not be considered as predictive weather forecasting equipment. Contact your regional Met Office centre if you need weather forecasting data (www.metoffice.gov.uk). Our products are tested in-house for operation and functionality but have not been independently tested by a UKAS accredited laboratory.